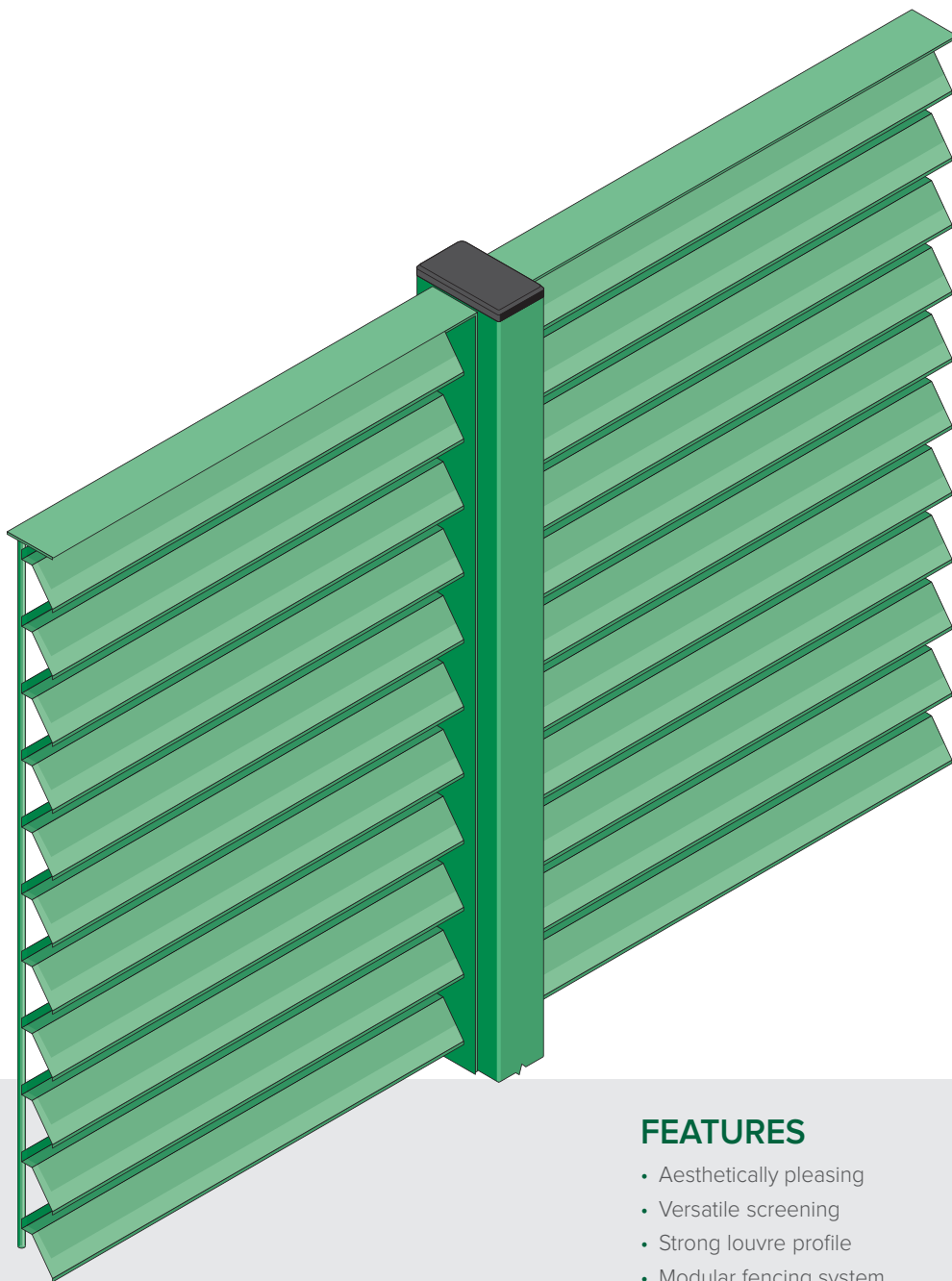


# SCREENOGRIL™

## LOUVRE FENCING SYSTEM



**A**

Ideal for urban designs

**B**

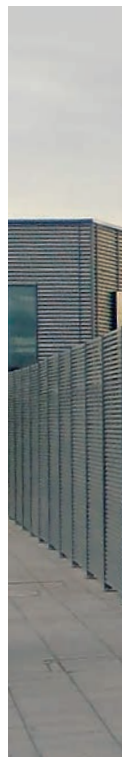
Controlled visibility 80/20  
or 100/0

**C**

Anti climb for increased security

**D**

Easy to design and install



### FEATURES

- Aesthetically pleasing
- Versatile screening
- Strong louvre profile
- Modular fencing system
- Hot-dipped galvanised
- Available in any RAL colour including metallic

### SUITABLE FOR

- Hospitals
- Corporate commercial developments
- Airports or seaports
- Multi-storey car parks
- Any screening application

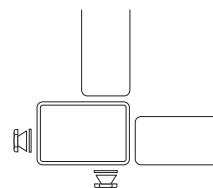
### SYSTEM DETAILS



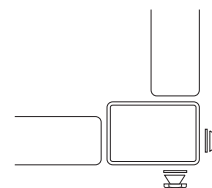
Plan of end



Plan of panels in line



Plan of internal corner



Plan of external corner

CALL 01270 764751 OR VISIT [WWW.CLD-FENCING.COM](http://WWW.CLD-FENCING.COM)



80/20 Option

## DESCRIPTION

When limiting the visibility of your premises is as important as preventing people from intruding, choose Screenogrill™ fencing. This louvre system combines exceptionally stylish and modern panels with features designed to protect high level security sites including hospitals, airports and corporate developments.

A range of options allow you to customise the innovative Screenogrill™ fencing to meet your security needs. Each 1963mm wide panel is available in any height, and you can choose different visibility levels based on the angle of the louvres. The 80/20 option provides 80% screening with 20% visibility, while the 100/0 option provides 100% total screening with zero visibility.

The robust profiled louvres are fused to a steel wire with a high electrical voltage to maximise security and durability in all conditions. There's also the option to have panels fitted horizontally or vertically, giving you complete control of how Screenogrill™ appears.

## FINISH

Hot dipped galvanised and polyester powder coated to any RAL colour or Corten finish.

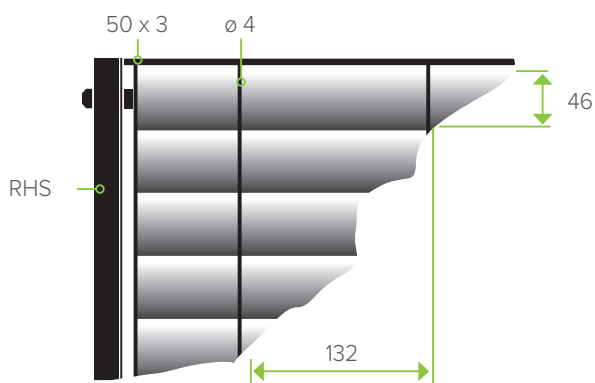
## PANEL DIMENSIONS

Heights	954, 1183, 1596, 1963mm (Other heights available)
Panel width	1642 or 1992mm
Mesh size	N/A
Posts	RHS or SHS depending upon application.
Top edge projection	Nil wire is flush on all edges

\* Increased heights can be achieved by double height panels.

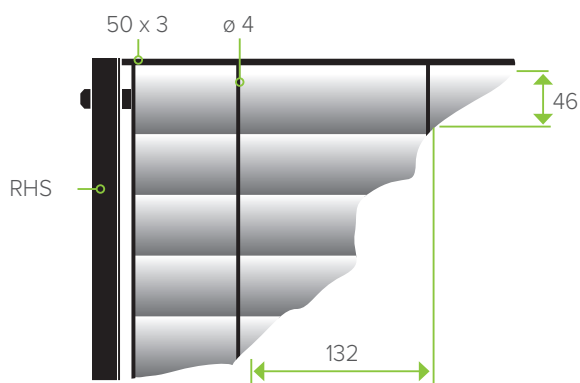
All dimensions are nominal

## SYSTEM DETAILS



**SCREENOGRIL™ 80/20**

80% solid / 20% visibility



**SCREENOGRIL™ 100/0**

100% solid / 0% visibility